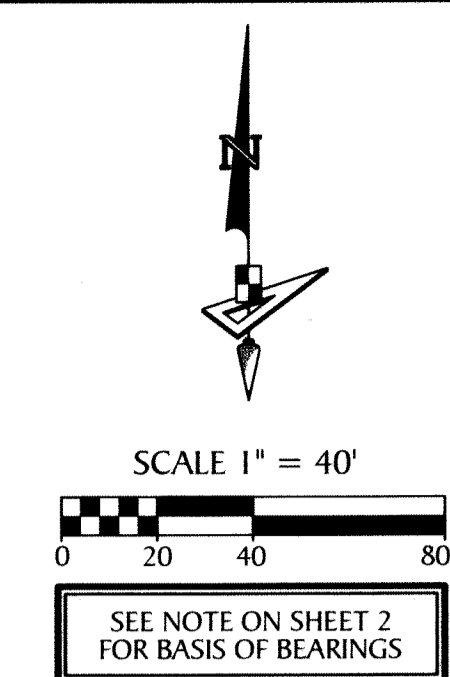
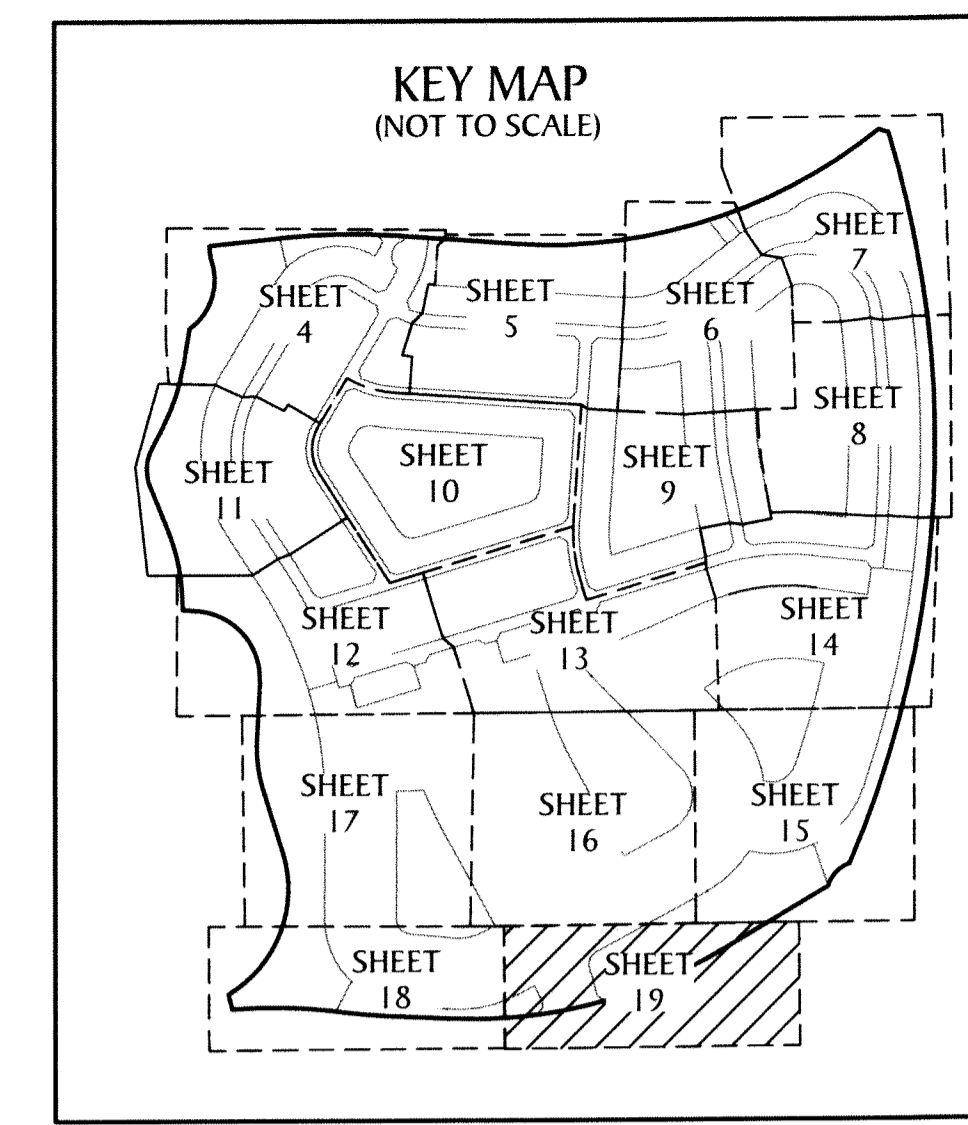


ORCHARDS OF WESTLAKE - PHASE I

BEING PORTIONS OF SECTIONS 5, 6, 7 AND 8, ALL IN
TOWNSHIP 43 SOUTH, RANGE 41 EAST,
CITY OF WESTLAKE, PALM BEACH COUNTY, FLORIDA.

- LEGEND**
- P.O.B. ----- POINT OF BEGINNING
 - P.O.C. ----- POINT OF COMMENCEMENT
 - P.B. ----- PLAT BOOK
 - D.B. ----- DEED BOOK
 - O.R./O.R.B. ----- OFFICIAL RECORDS BOOK
 - PG./PG(s) ----- PAGE(S)
 - NAD ----- NORTH AMERICAN DATUM
 - W.M.T. ----- WATER MANAGEMENT TRACT
 - O.S.T. ----- OPEN SPACE TRACT
 - P.B.C. ----- PALM BEACH COUNTY
 - U.E. ----- UTILITY EASEMENT
 - D.E. ----- DRAINAGE EASEMENT
 - L.M.A.E. ----- LAKE MAINTENANCE ACCESS EASEMENT
 - 7-43-41 ----- SECTION-TOWNSHIP-RANGE
 - R ----- RADIUS
 - L ----- ARC LENGTH
 - D ----- DELTA ANGLE
 - CB ----- CHORD BEARING
 - C ----- CHORD

- N.T. ----- NON-TANGENT
- N.T.C. ----- NON-TANGENT CURVATURE
- P.C. ----- POINT OF CURVATURE
- P.T. ----- POINT OF TANGENCY
- R/W ----- RIGHT-OF-WAY
- (R) ----- RADIAL
- (NR) ----- NON-RADIAL
- HOA ----- HOMEOWNERS ASSOCIATION
- S.I.D. ----- SEMINOLE IMPROVEMENT DISTRICT
- PRM ----- PERMANENT REFERENCE MONUMENT
- ----- PERMANENT CONTROL POINT
- ----- FOUND PERMANENT REFERENCE MONUMENT
- ----- SET 4"x4" CONCRETE MONUMENT WITH 2" ALUMINUM DISK STAMPED "PRM LB 7768"



210

